

## Generic Digital V3 One Link Install

### Parts list:

- |                                   |   |
|-----------------------------------|---|
| (1) One Link with magnetic mounts | (1) Battery wiring harness with inline fuse |
| (1) 4G LTE antenna/GPS antenna    | (1) OLSC005 cable                           |
| (1) USB serial cable              | (2) Lever wire connectors                   |
| (2) Zip ties                      |   |

### Installation Instructions:

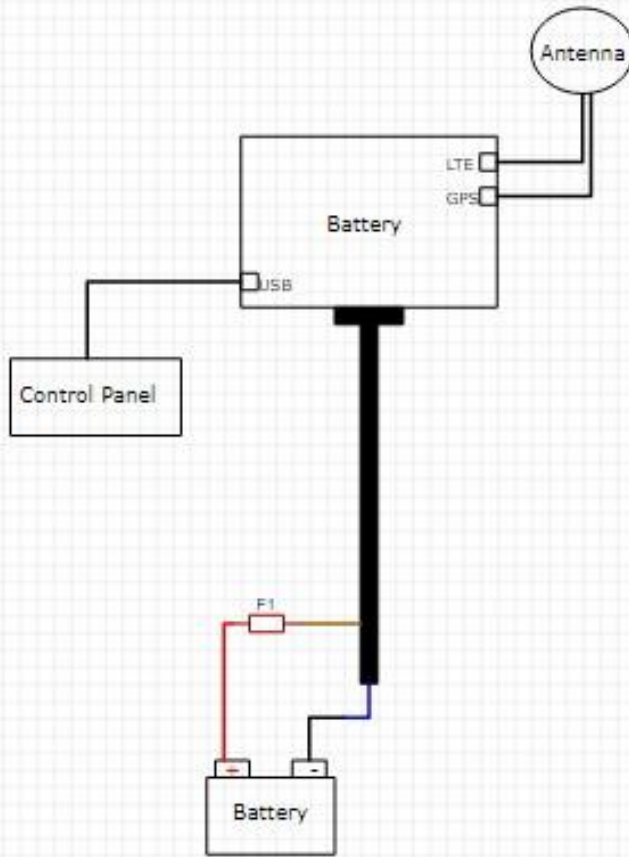
1. Put the generator in stop mode.
2. Disconnect the positive battery terminal. (**Do not reconnect the positive battery terminal until step 14.**)
3. Using the magnetic mounts, mount the One Link inside of the generator enclosure close to the controller. (**Be sure the mounting location is away from weather exposure.**)
4. Connect the ring connector on the **red** wire of the battery wiring harness to the positive (+) battery terminal.
5. Connect the ring connector on the **black** wire of the battery wiring harness to the negative (-) battery terminal.
6. Route the **brown** wire and **blue** wire from the One Link I/O cable to the battery wiring harness installed in steps 4 and 5.
7. Using one of the included lever wire connectors, connect the bare **black** wire from the battery wiring harness to the bare **blue** wire from the One Link I/O cable.
8. Using one of the included lever wire connectors, connect the bare **red** wire from the battery wiring harness to the bare **brown** wire from the One Link I/O cable.
9. Connect the USB serial cable to the USB port on the side of the One Link and the opposite end of the serial cable to the port on the back of the control panel.
10. Mount the LTE/GPS antenna on the top of the generator.
11. Connect the LTE antenna cable to the top connector on the right side of the One Link.
12. Connect the GPS antenna cable to the bottom connector on the right side of the One Link.
13. Plug the 15 pin connector into the bottom of the One Link, and tighten both screws using a flathead screwdriver.
14. Reconnect the positive battery terminal to the battery.




4612 Highway Ave  
Jacksonville, FL 32259  
(888) 366-7886

At this time the One Link will power up and begin communicating with the generator. Please allow 5-10 minutes for the One Link to establish a connection to the internet. Check the activation screen or your One Link account to ensure the generator's vitals update, and the One Link is transmitting data.

## Evolution Controller



TITLE:	Evolution controller	REV: 1.0
	Company: Zabatt Power Systems	Sheet: 1/1
	Date: 2021-10-20	Drawn By: Yong Kim

One Link		Old Gray I/O Cable	New Black I/O Cable
Description	One Link Function	Color	Color
Battery +	Battery +	Red	Brown
Battery -	Battery -	Black	Blue
K1COM	K1COM	Red/White Stripe	Orange
K1NO	K1NO	Red/Black Stripe	Green
K2COM	K2COM	Orange	Yellow
K2NC	K2NC	Orange/Black Stripe	Gray
DI1	Close to Ground	Black/White Stripe	Pink
DI2	Close to Ground	Blue/Black Stripe	Red
DI3	Close to Batt +	Blue/White Stripe	Black
DI4	Close to Batt +	Blue	White
DI5	Close to Batt +	Green/Black Stripe	Purple
A1	0-5V	Green	Light Green
A2	0-5V	Green/White Stripe	Black/White Stripe
L1	AC Voltage L1	White	Brown/White Stripe
L2	AC Voltage L2	White/Black Stripe	Red/White Stripe